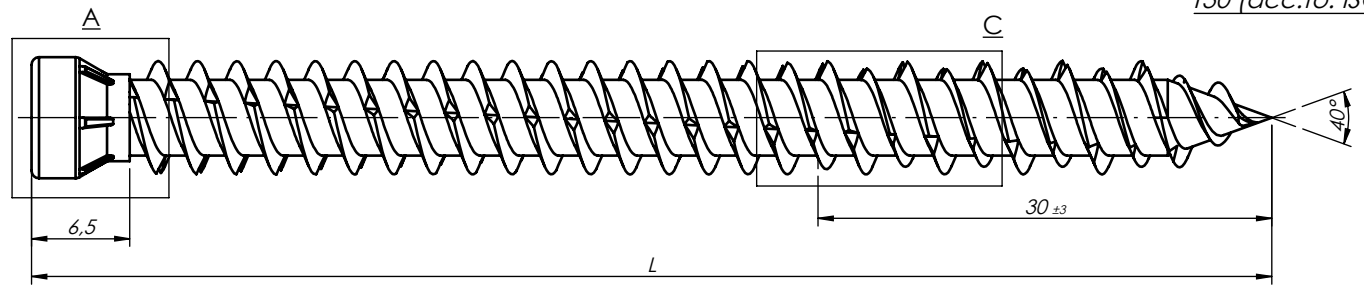
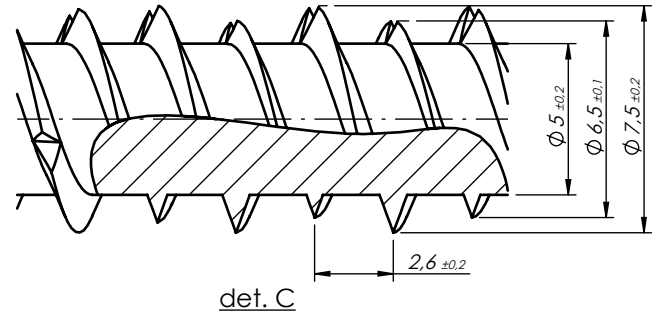
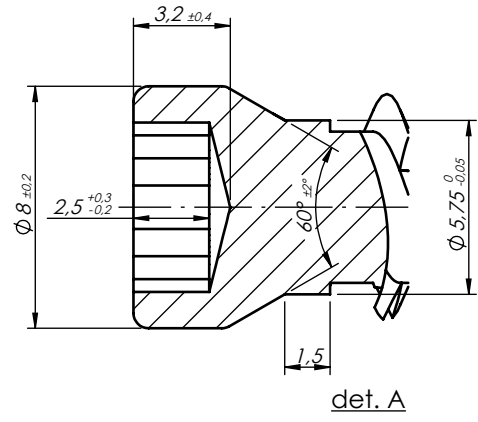
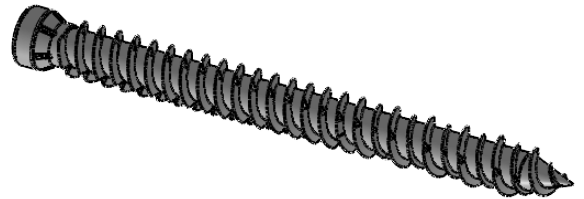
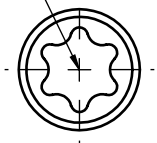


This document is the absolute property of DOMAX Sp. z o.o. This document must not be copied without the written permission of DOMAX Sp. z o.o. The contents thereof must not be disclosed to a third party nor be used for any unauthorized purpose. Contravention will be prosecuted.

Revision				
Rev.	Explanation	Date	Revised by	Approved by



T30 (acc.to. ISO 10664)



Index	Name	L [mm]	Tolerance	Surface [dm <sup>2</sup> ]	Weight [g]
	CBW 7,5x42	42	±3,0	0,15	9
3387505	CBW 7,5x52	52			
	CBW 7,5x62	62			
3387507	CBW 7,5x72	72			
	CBW 7,5x82	82			
3387509	CBW 7,5x92	92			
	CBW 7,5x102	102			
3387511	CBW 7,5x112	112			
	CBW 7,5x122	122			
3387513	CBW 7,5x132	132			
3387515	CBW 7,5x152	152			
3387518	CBW 7,5x182	182			
	CBW 7,5x202	202			
3387521	CBW 7,5x212	212			
	CBW 7,5x252	252			
	CBW 7,5x300	300			

- Note:
- General tolerance EN 22768 mK.
  - Surface Fe/ZN 5c wg EN ISO2081.

Design	D. Kozłowski		Checked	-		Approved	-		Note	-	
Drawn	D.Kozłowski		Format	A4	Scale	2:1	Material	20MnB4 / 10B21		Weight	-
Date	13.10.2023		Frame screw CBW							Sheet 1 / 1	
domax		-		CBW 7,5						Rev 0	
DOMAX Sp. z o.o.											